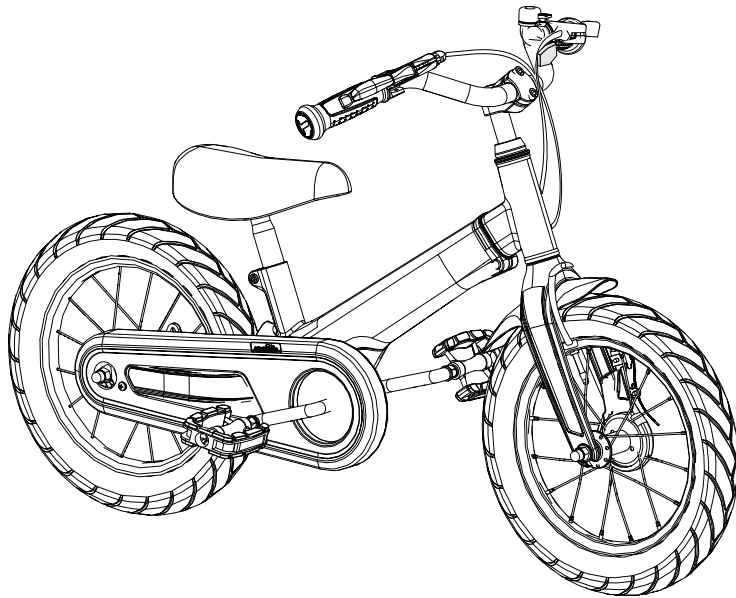


Xtend Bike

smarTrike®

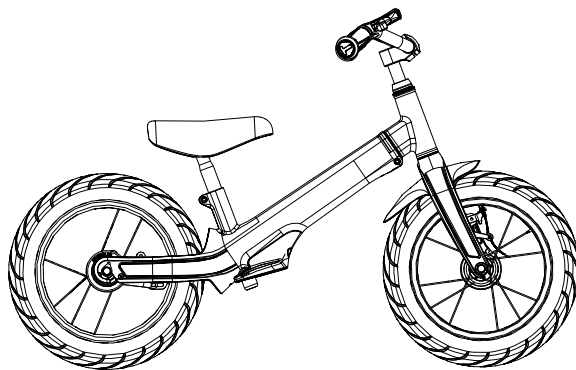
# Assembly instructions



20828364603

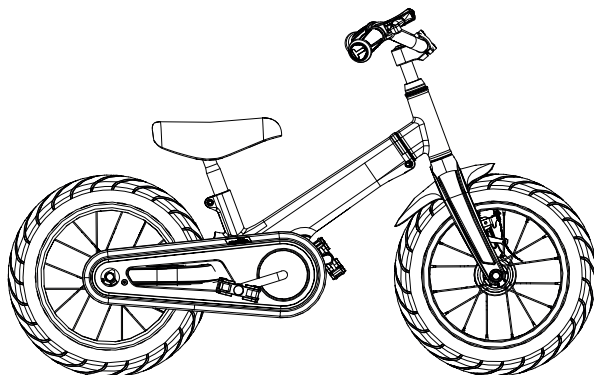
Balance

Age 3 - 4yrs



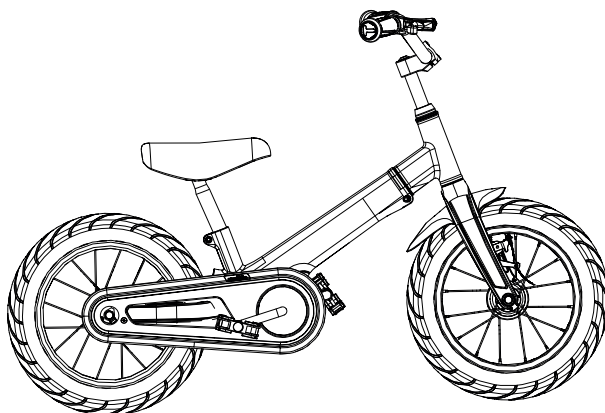
Pedal

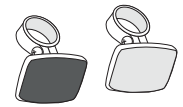
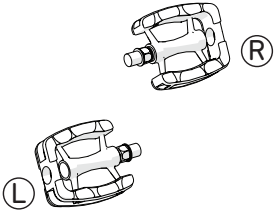
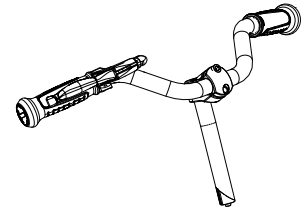
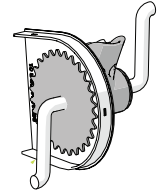
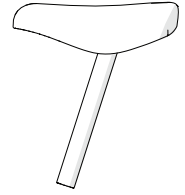
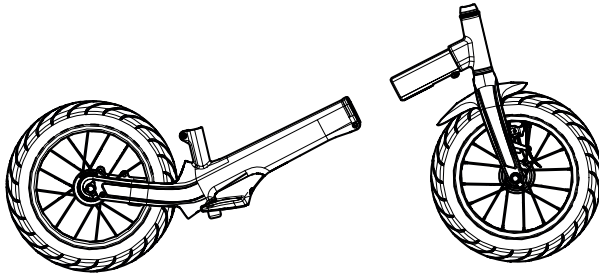
Age 4 - 6yrs



Bike

Age 6 - 7yrs

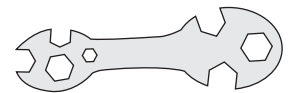
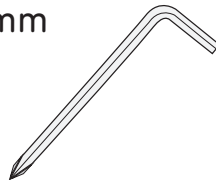


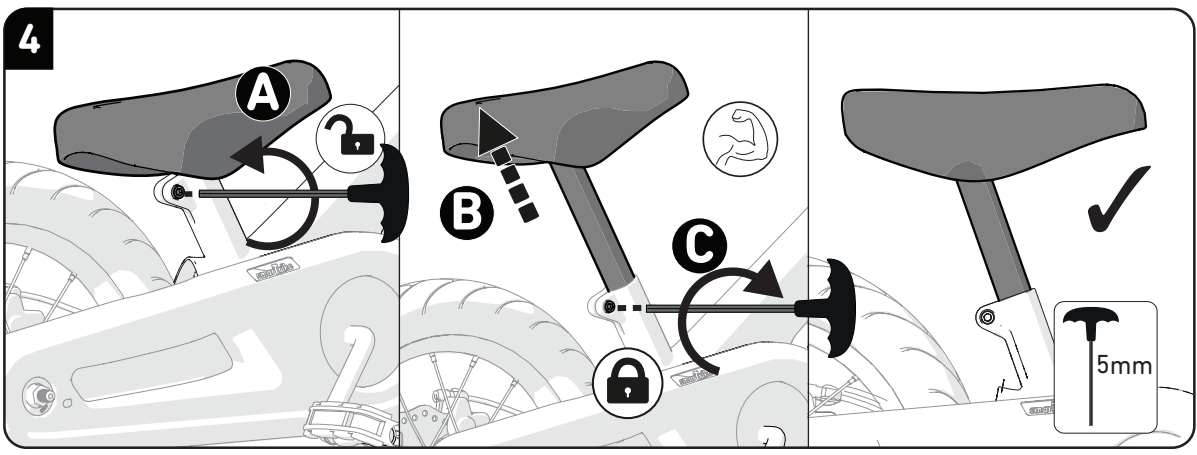
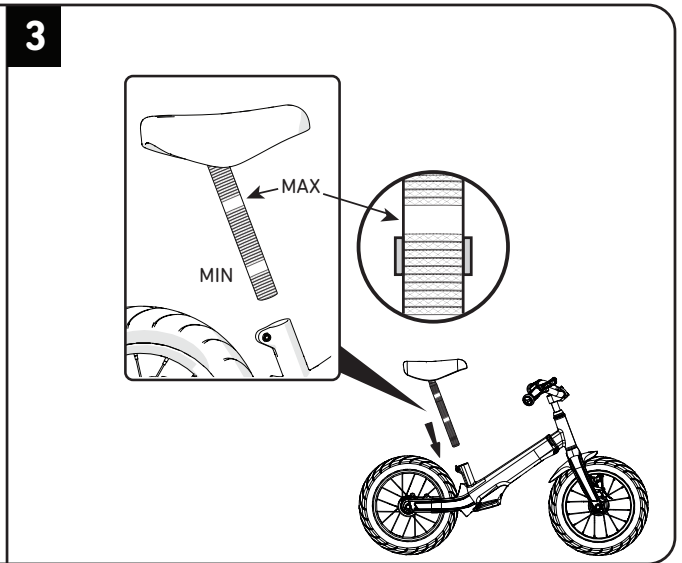
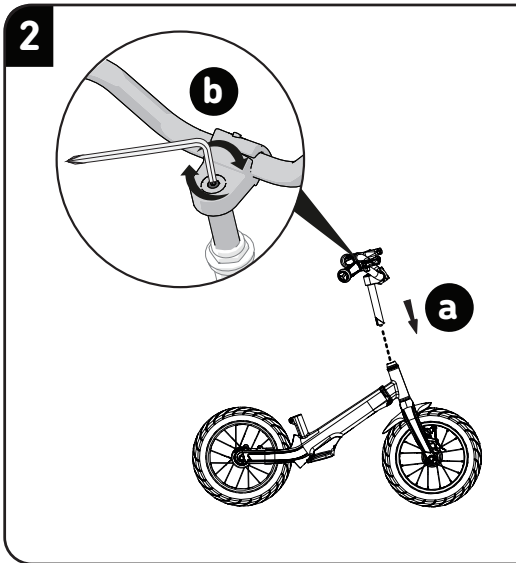
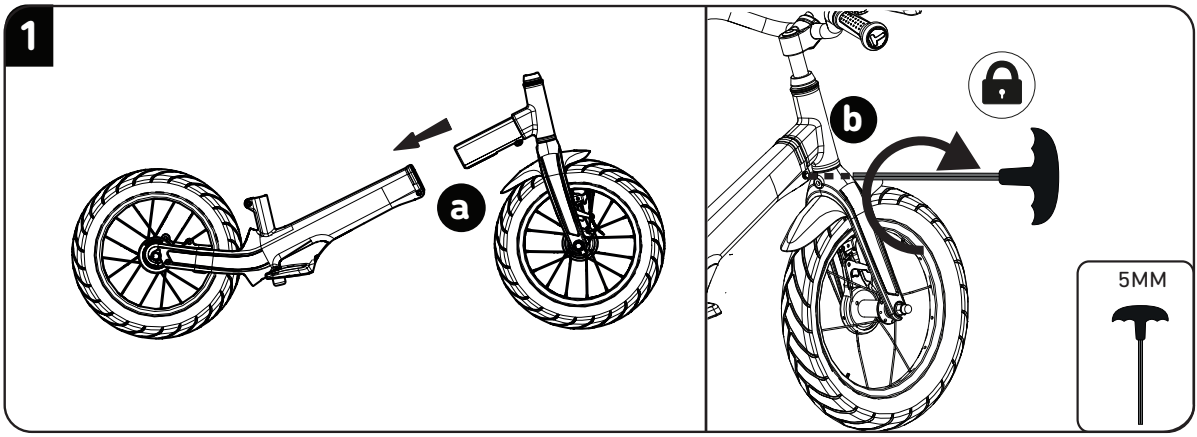


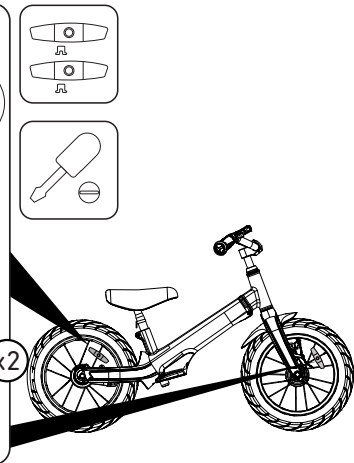
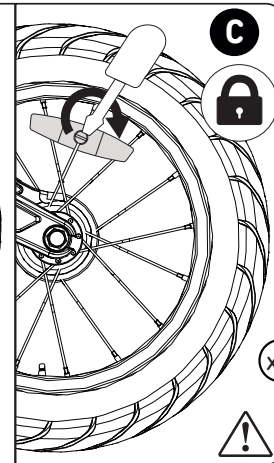
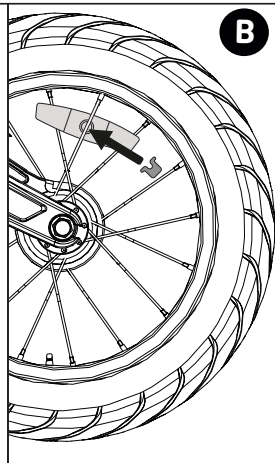
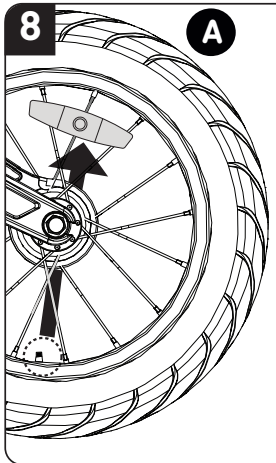
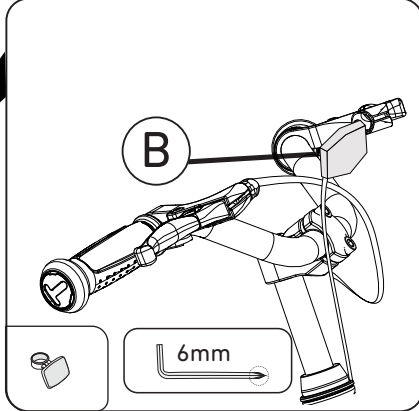
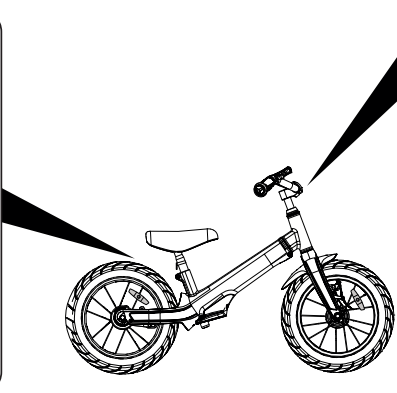
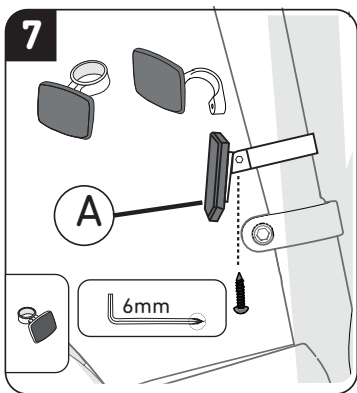
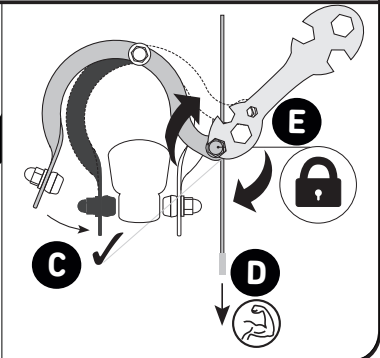
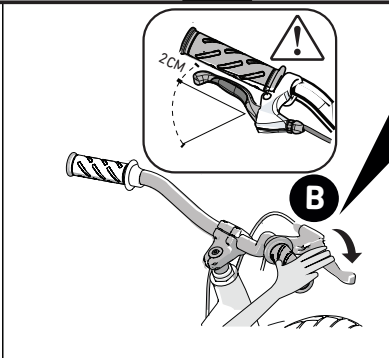
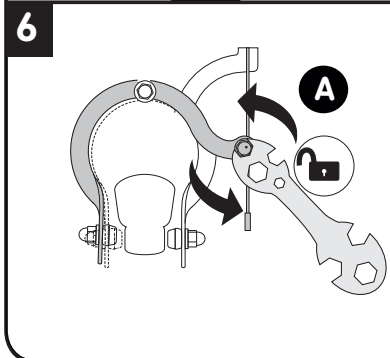
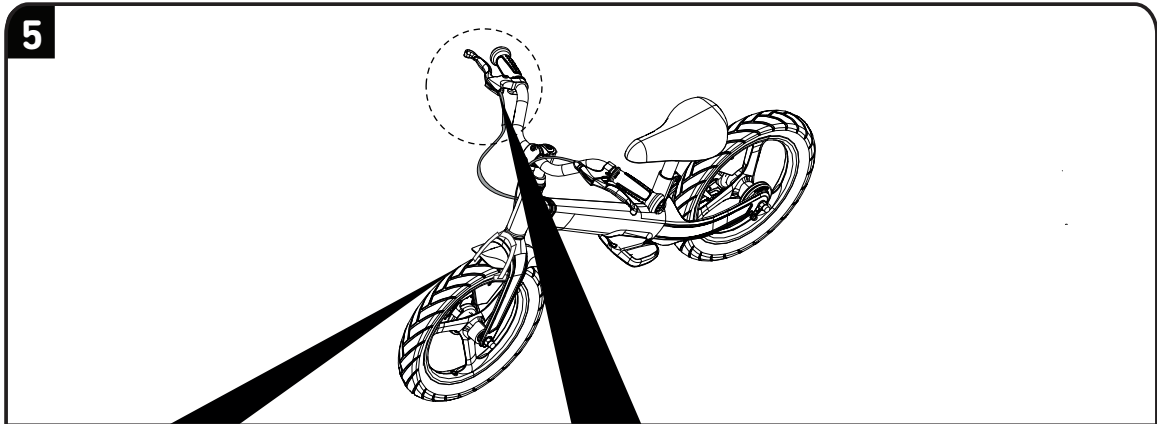
5mm

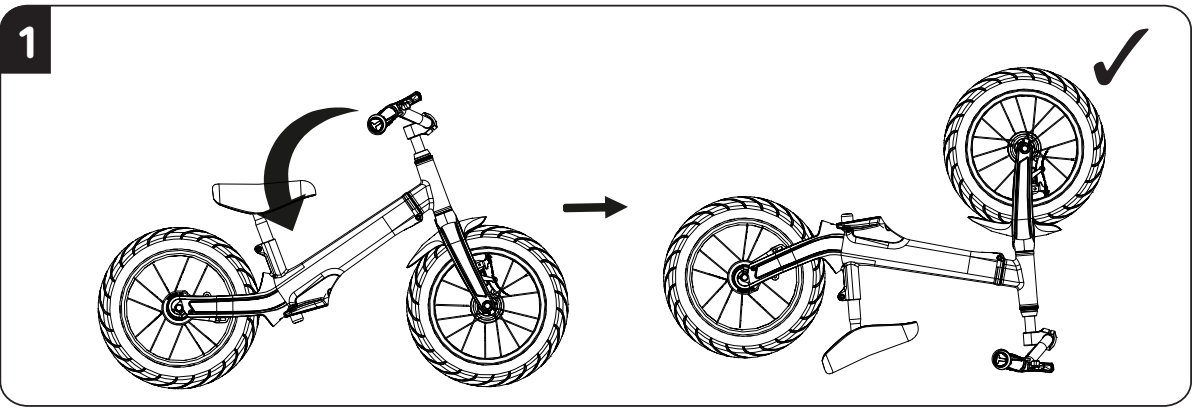
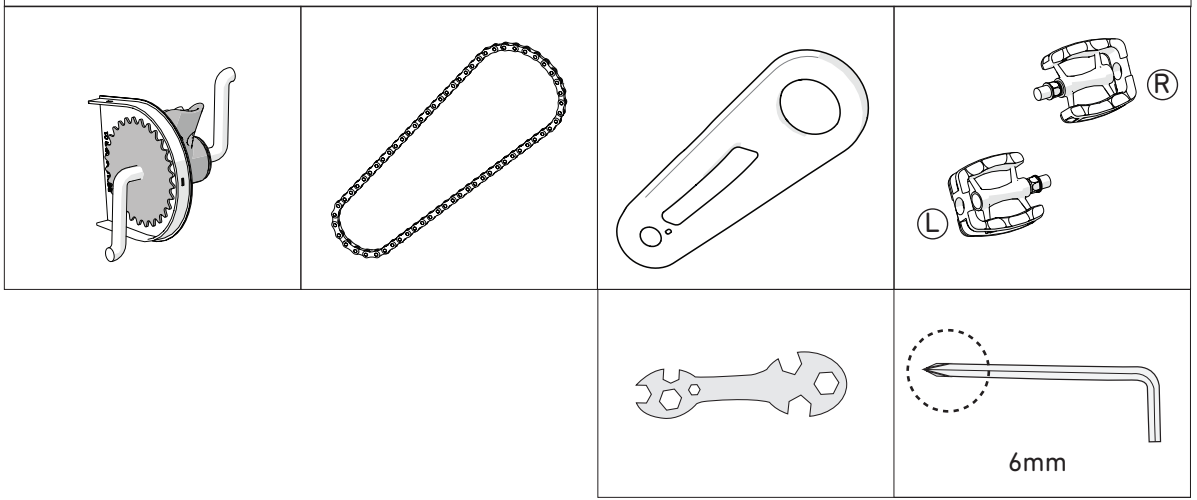
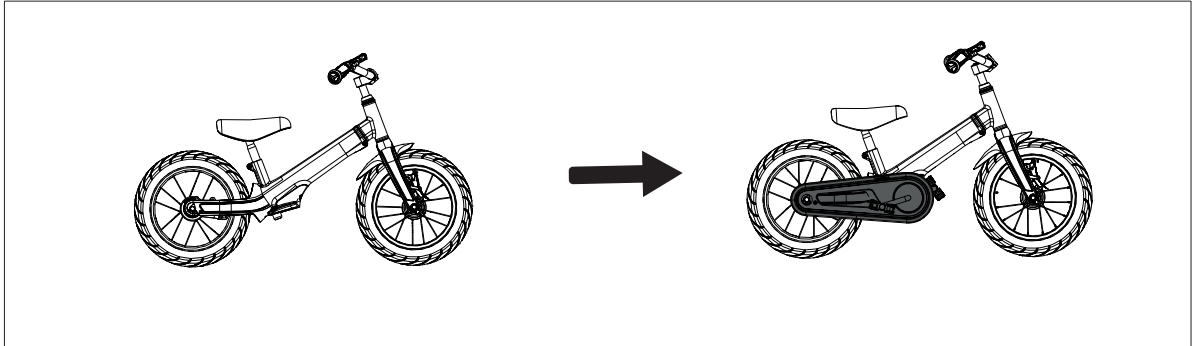
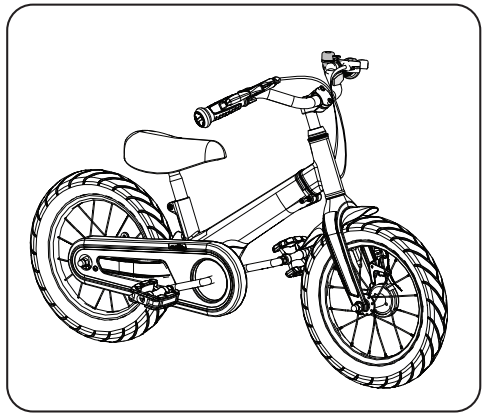
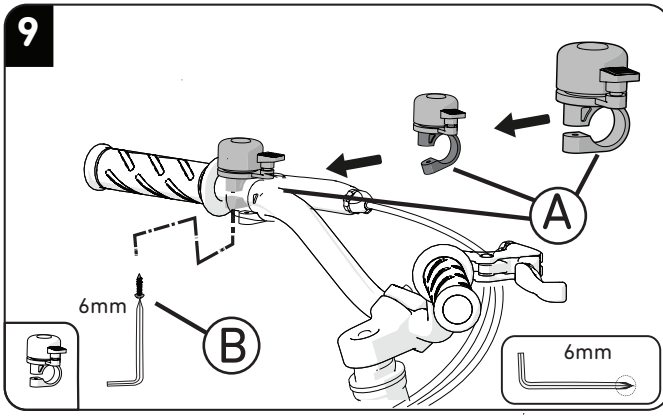


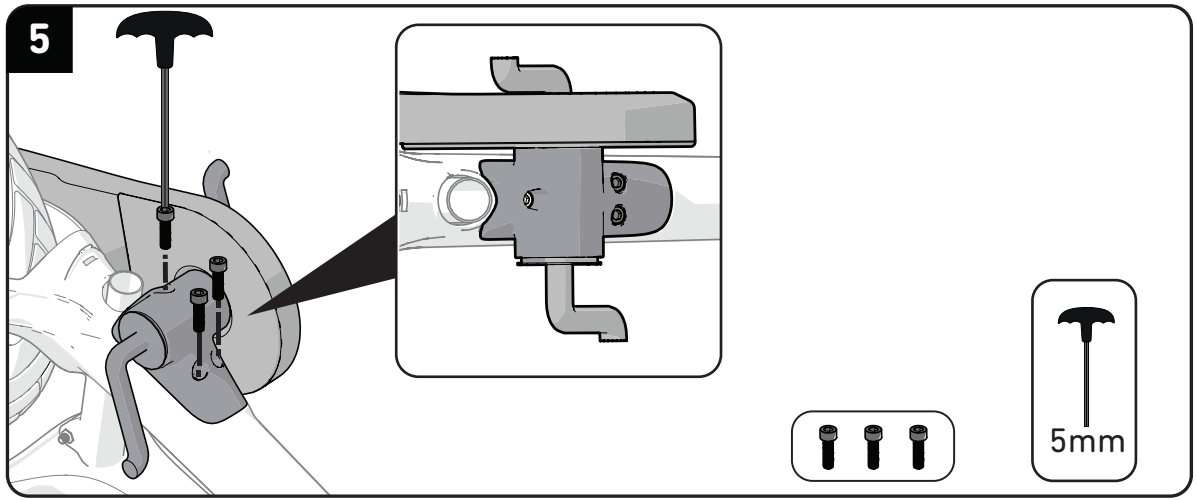
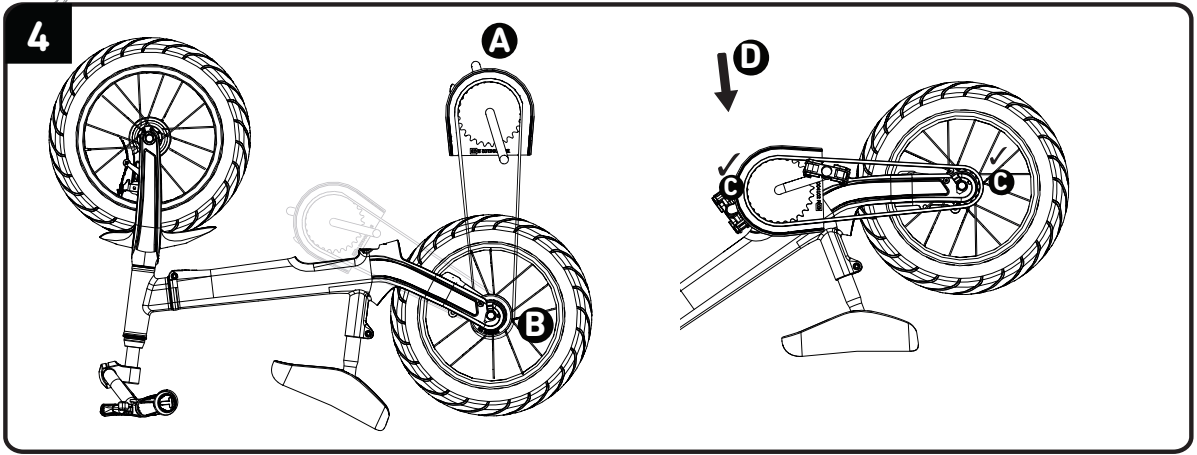
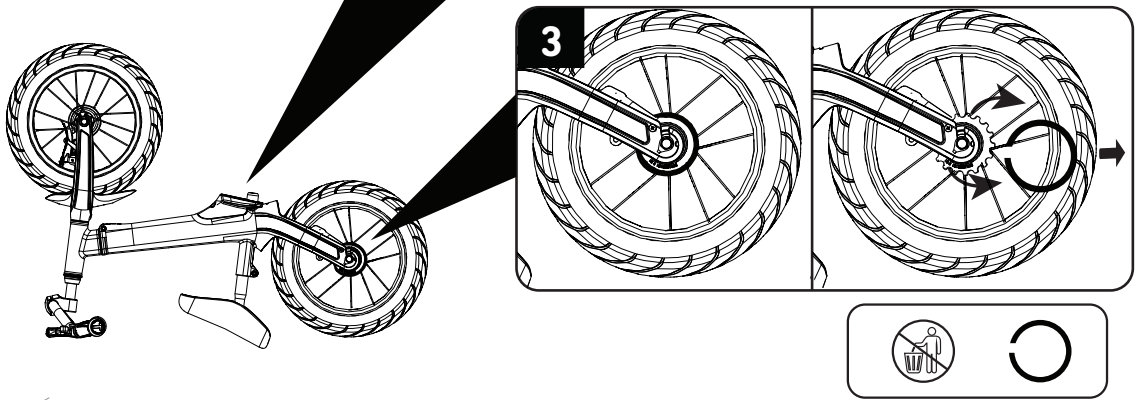
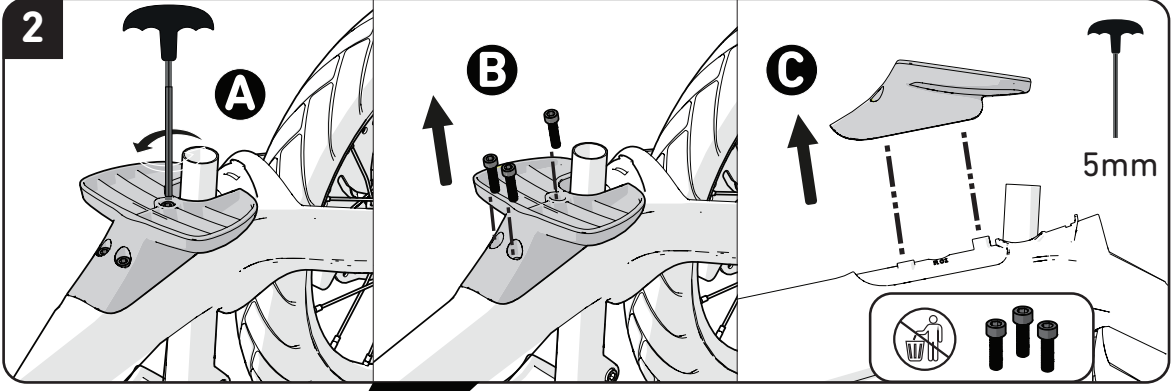
6mm

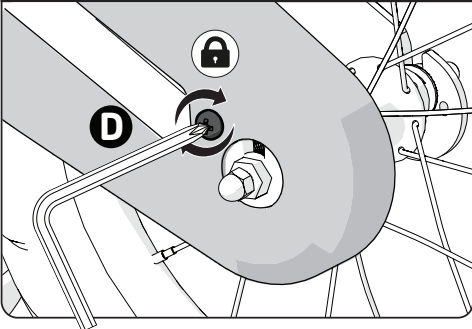
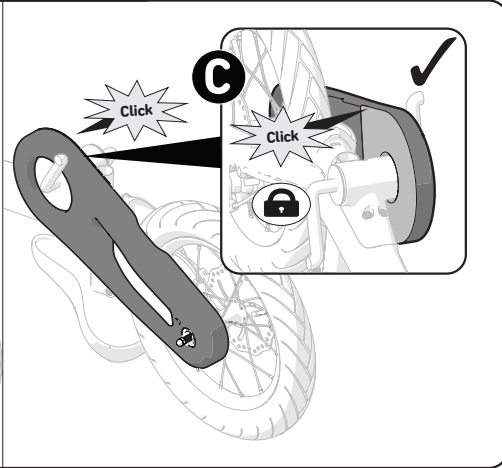
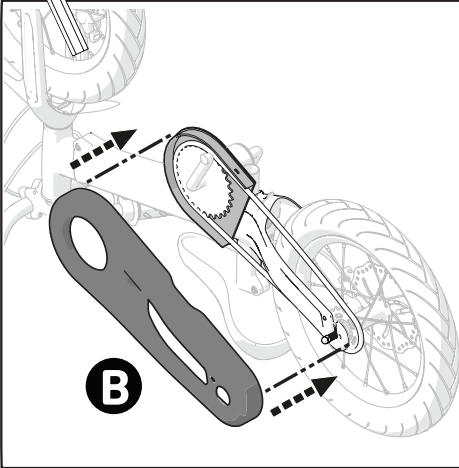
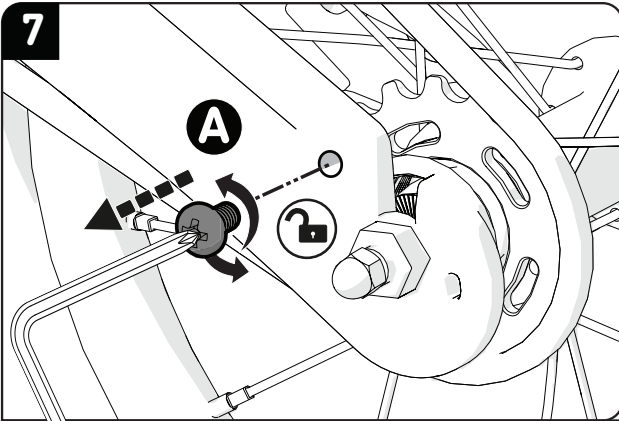
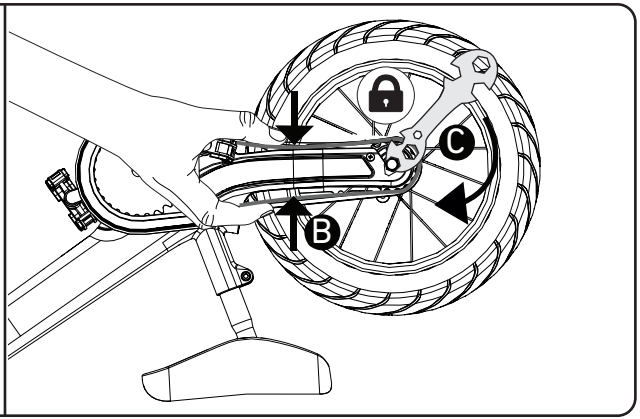
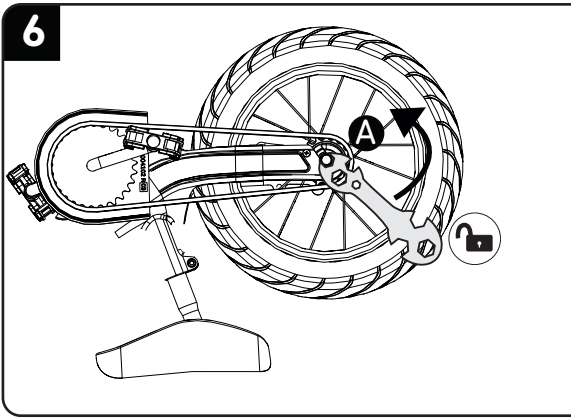






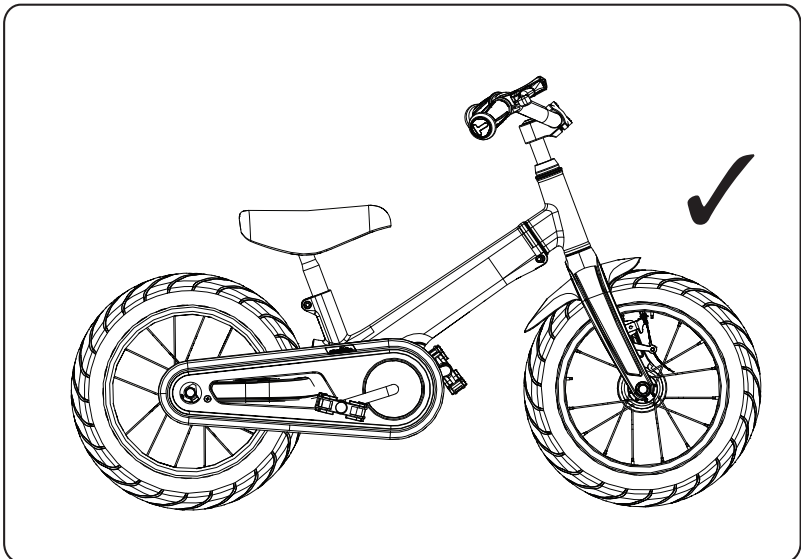
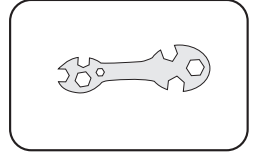
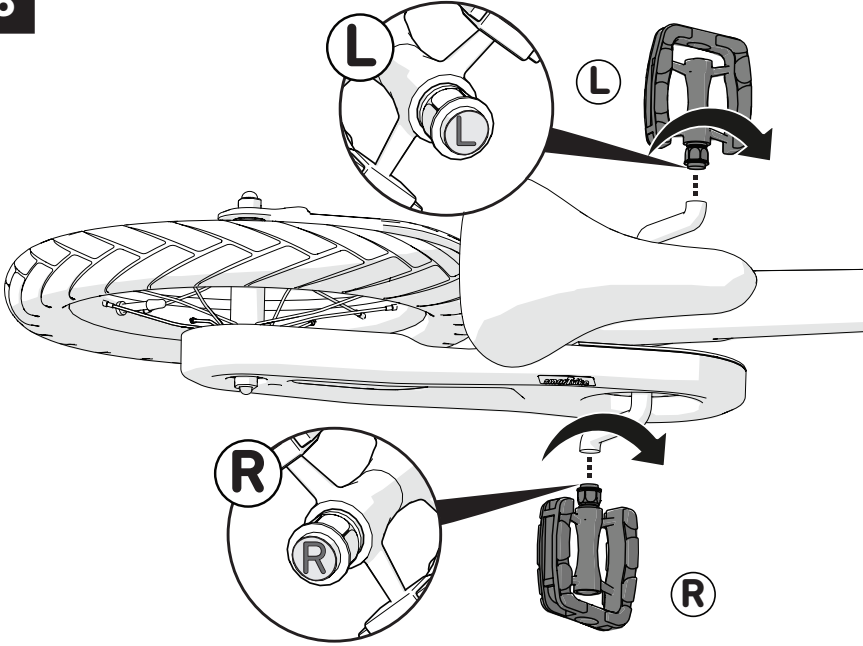


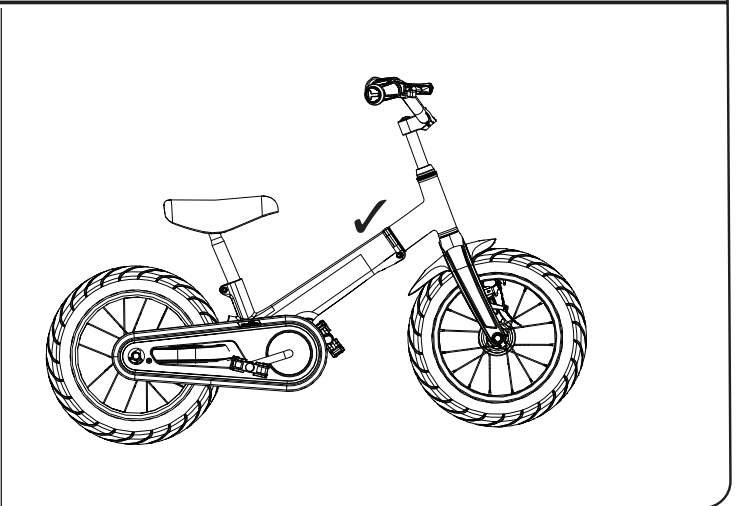
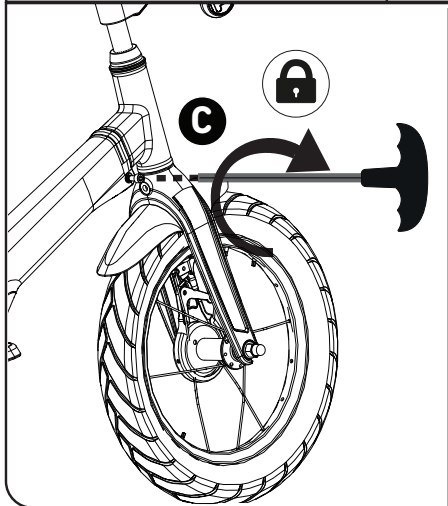
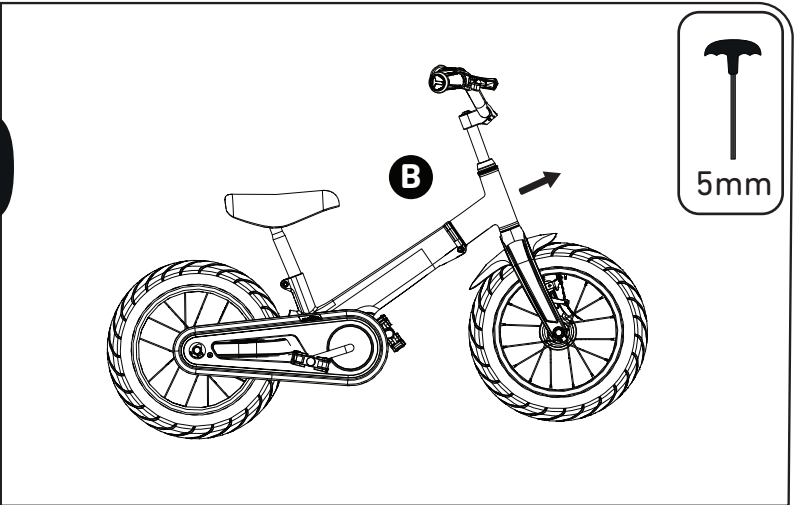
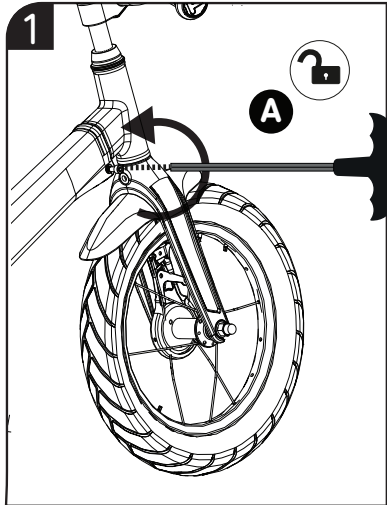
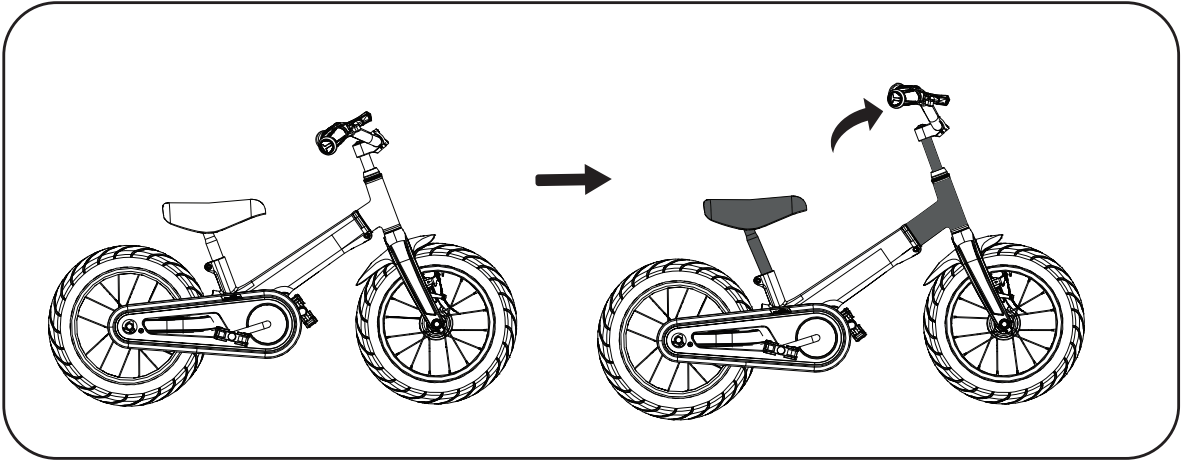


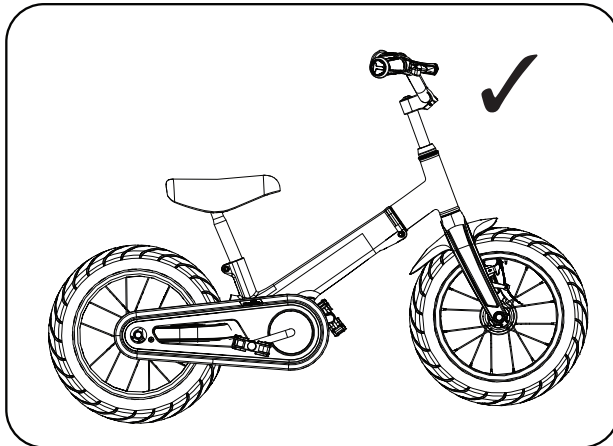
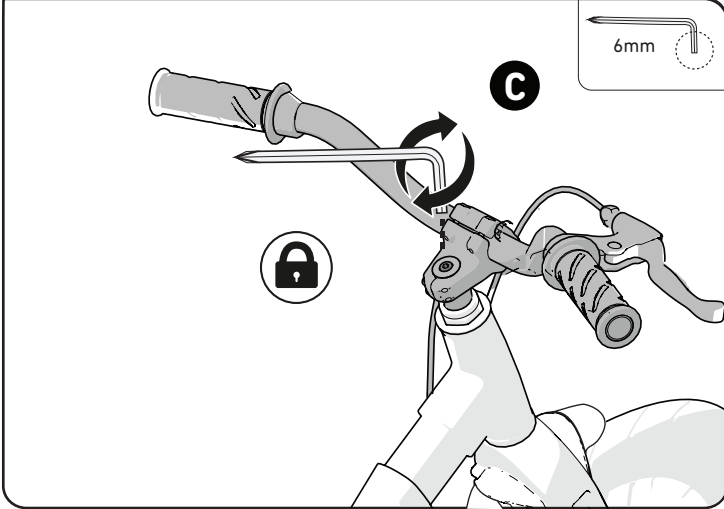
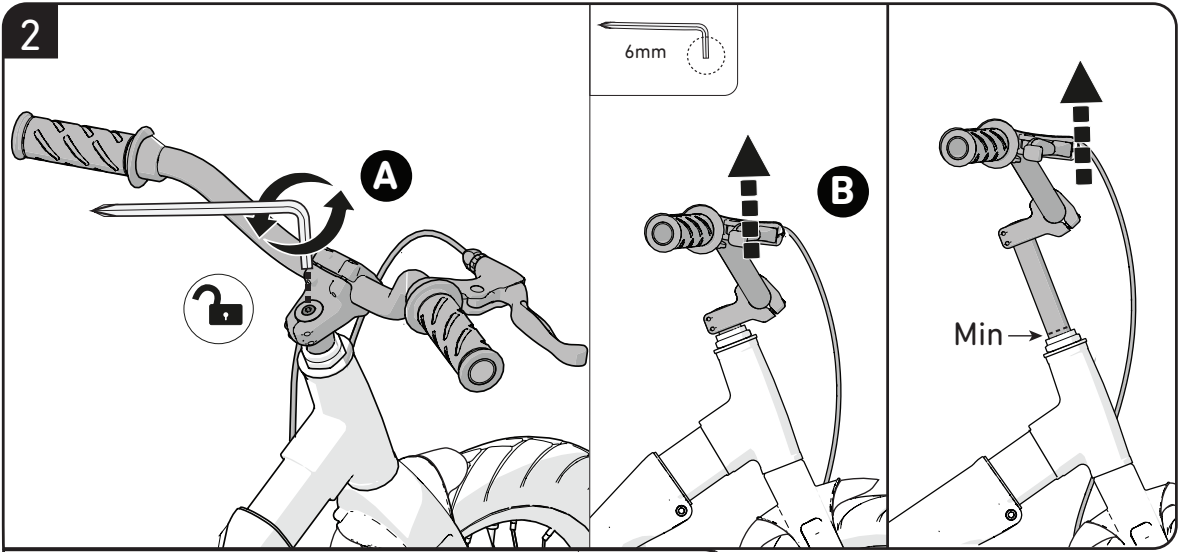




8







# smarTrike®

20828364603